

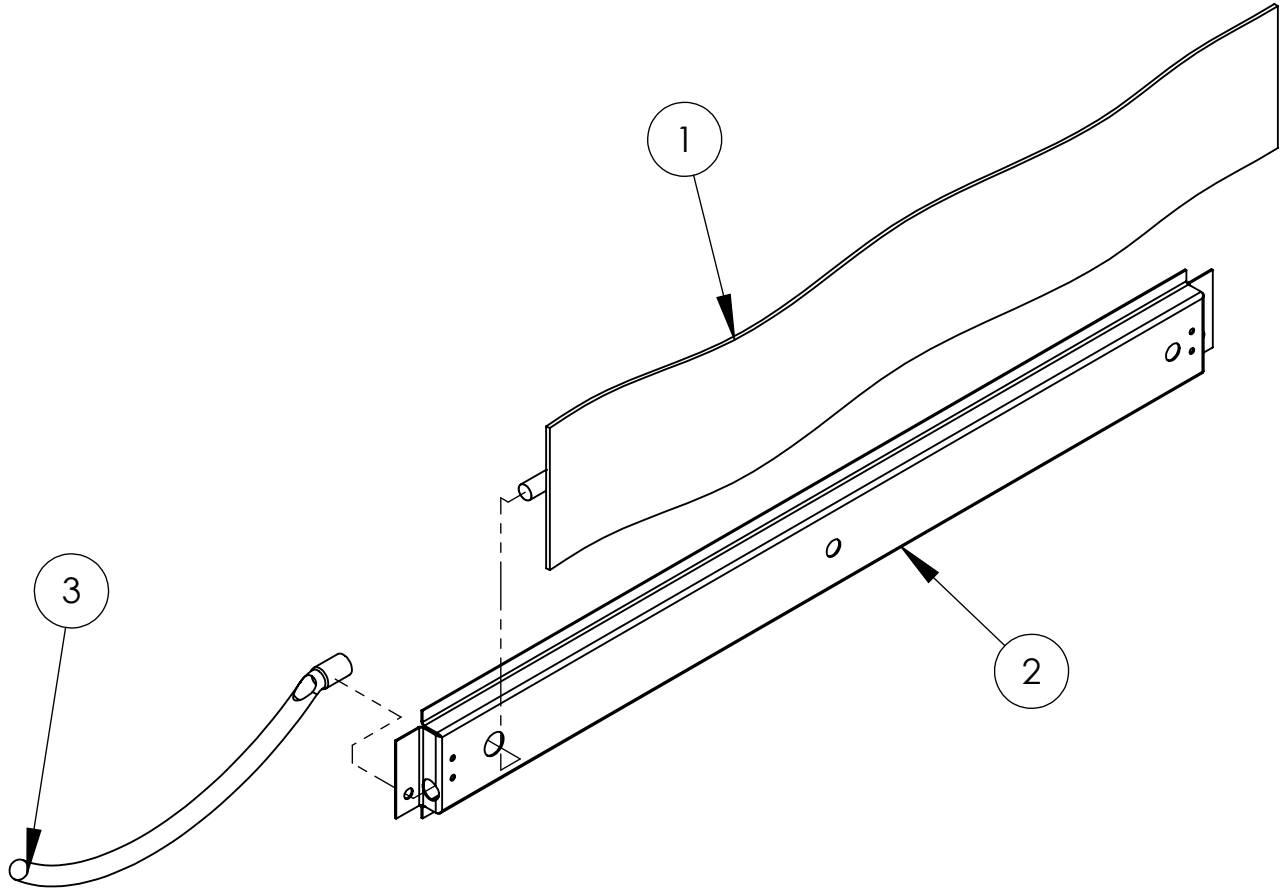
ENGINEERING SPECIFICATION

Base Number: W1 AS CR IND BELL. 01

Description: Rittling Induction Unit,
 Damper Balancing Blade Bellow Retainer Operator
 15-BA24, 15-BA32, 15-BA40, 15-BA52

Unless otherwise specified:

Dimensions are in inches
 Tolerances:
 Linear: $\pm 1/32$ (0.03125)
 Angular: $\pm 1^\circ$



ITEM NO.	PART NUMBER	Nav #	QTY.
1	15-RO retainer operator [RV RH & TE] (Rev -)	15-R0XX	1
2	Bellows bag [RV RH & TE] (Rev -)	625-0166-0	1
3	Control tubing [RV RH & TE] (Rev -)	625-0167-0	1