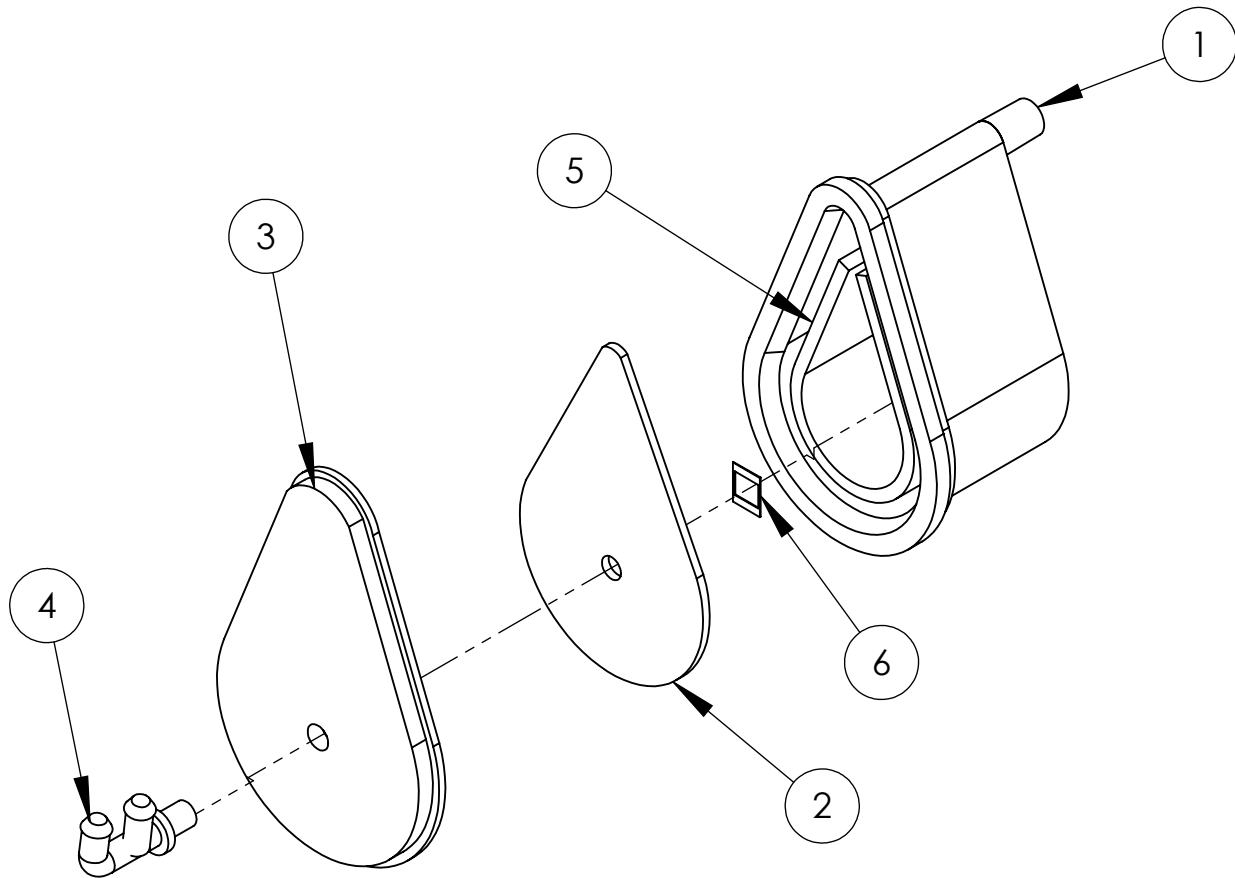


Base Number: W1 AS CR IND FL.01

Description: Rittling Induction Unit, Filter Box Assembly  
15-FBA

Unless otherwise specified:

Dimensions are in inches  
 Tolerances:  
 Linear:  $\pm 1/32$  (0.03125)  
 Angular:  $\pm 1^\circ$



ITEM NO.	PART DESCRIPTION	NAV #	QTY.
1	FILTER BOX, PLASTIC	625-0014-0	1
2	Filter Box Seal	625-0157-0	1
3	Filter Box Cover	625-0013-0	1
4	RESTRICTOR ASSEMBLY , BLK NYLON	625-0058-1	1
5	Filter Box Filter	625-0158-0	1
6	Restrictor Clip	625-0219-0	1